

# **DVD Integrated Bracket Option**

**Cardio Theater DVD Integrated Bracket Assembly Instructions**

## Table of Contents

<b>1</b>	<b>Before You Begin .....</b>	<b>3</b>
	Obtaining Service .....	3
	Unpacking the Equipment .....	3
	Important Safety Instructions .....	3
<b>2</b>	<b>Preparations .....</b>	<b>4</b>
	Required Tools .....	4
	Installation Requirements .....	4
	Assembly Tips .....	4
<b>3</b>	<b>Install the DVD Player into the DVD Integrated Bracket Assembly .....</b>	<b>5</b>
<b>4</b>	<b>Install the DVD Integrated Bracket Assembly on Unit .....</b>	<b>6</b>

# 1

## Before You Begin

Thank you for adding the DVD Integrated Bracket Option to your Precor Integrated Cardio Theater LCD Screen Option. This option gives people another choice to make their workout experiences more enjoyable.

For proper installation, please read this guide thoroughly and follow the assembly instructions.

### Obtaining Service

For information about product operation or service, refer to the Precor web site at [www.precor.com](http://www.precor.com) or contact an authorized Precor dealer or a Precor factory-authorized service company. For information about product operation or service, call an authorized Precor Commercial Products Customer Support Representative at 1-888-665-4404.

### Unpacking the Equipment

The DVD Integrated Bracket Option is shipped in one box with the following items:

- Bracket assembly
- Four Phillips-head screws
- One self-tapping screw
- Assembly instructions

If any items are missing, contact the dealer from whom you purchased the unit or call a Precor Commercial Products Customer Support Representative.

**Important:** *To complete the assembly of the DVD Integrated Bracket Option, you need a DVD Player, which is packaged in a separate box with cables and manual. The DVD Player must fit within the DVD Integrated Bracket Assembly; purchasing the DVD Player from Precor ensures that it fits within the bracket assembly.*

### Important Safety Instructions

When using exercise equipment, basic precautions should always be taken, including the following:

- **Read all instructions** before using the unit. These instructions are written to ensure your safety and to protect the equipment.
- **Use the equipment only for its intended purpose.** Do not use accessory attachments that are not recommended by the manufacturer, as such attachments may cause injuries.
- **Always check the unit before each use.** Make sure that all fasteners and cables are secure and in good working condition.

**Important:** *The important safety instructions written here reflect a portion of what is found in the product owner's manuals. Please review and follow the safety instructions found there.*

# 2

## Preparations

**Important:** You may want to ask another adult to help with assembly. This process is easier with help from another person.

Remember to read and follow the instructions in this guide. If you do not assemble the DVD Integrated Bracket Option according to these instructions, you could void the Precor Limited Warranty.

### Required Tools

Obtain these tools before assembly:

- Phillips-head screwdriver
- Standard torque wrench and a  $\frac{7}{32}$ -inch hex key
- Power drill with a  $\frac{1}{8}$ -inch drill bit

### Installation Requirements

Review these installation requirements before assembly:

- Make sure you have ample space around the unit where you plan to install the DVD Integrated Bracket Option. Open space around the unit allows for easier access and installation.
- Open the box and assemble the components in the sequence presented in this guide.
- Leave room for adjustments. Tighten fasteners (bolts, nuts, and screws) so the unit is stable, but leave room for adjustments. Do not fully tighten fasteners until instructed in the assembly steps to do so.

### Assembly Tips

- Read all the notes on each page before completing that step.
- While you may be able to assemble the DVD Integrated Bracket Option using the illustrations only, important safety notes and other tips are included in the text.

Assembly of the DVD Integrated Bracket Option takes less than  $\frac{1}{2}$  hour to complete.

# 3 Install the DVD Player into the DVD Integrated Bracket Assembly

1. Remove the two front and back screws on each side of the DVD Player, leaving the middle screw. Discard these screws; you will not need them later.
2. Connect the audio/video cable and the power cable to the back of the DVD Player.

**Note:** For more information about cable connections, see the manual that was packaged with the DVD Player.

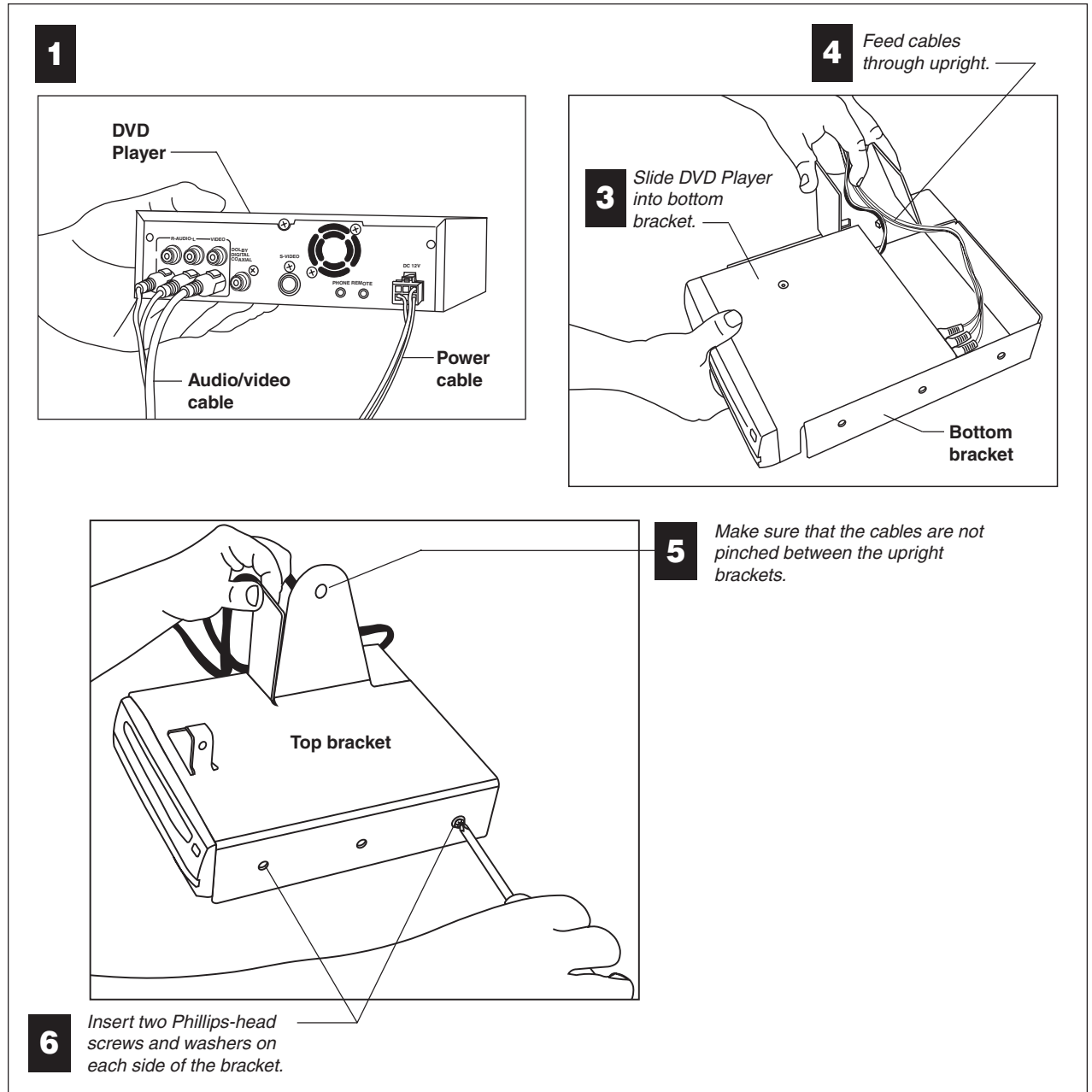
3. Slide the DVD Player into the bottom bracket.
4. Feed the cables through the upright portion of the bracket.
5. Place the top bracket over the DVD Player and bottom bracket.

Make sure that the upright portion of both top and bottom brackets match, and that you do not pinch any cables between the two brackets.

6. Secure the top bracket to the bottom bracket with four Phillips-head screws and washers, provided in the box.

Insert two Phillips-head screws and washers on each side, leaving the middle hole empty. You may need to adjust the top cover a bit to align the holes and insert the screws. Tighten the screws.

**Important:** Be careful not to overtighten the screws and strip them.



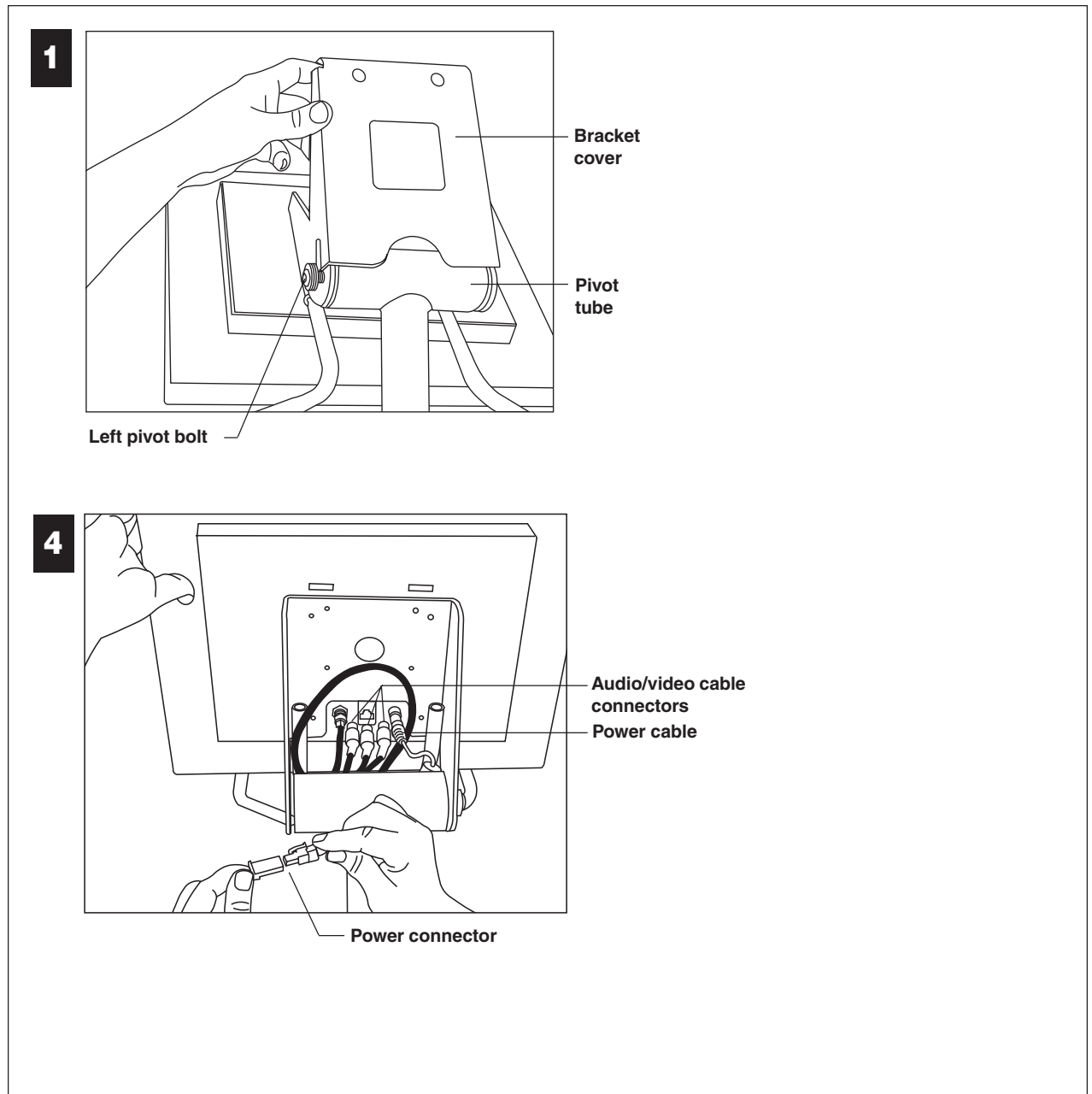
# 4

## Install the DVD Integrated Bracket Assembly on Unit

1. If the bracket cover that covers the connections for the LCD Screen is installed, remove it. You will need to loosen but not remove the pivot tube bolts.

**Note:** If you need instructions to remove the bracket cover, refer to the assembly instructions that came with the bracket.

2. Remove the left pivot bolt from the pivot tube. You will install the DVD Integrated Bracket Assembly on this side.
3. With someone holding the DVD Integrated Bracket Assembly, feed the audio/video cable up under the pivot tube.
4. Connect the audio/video connectors to the appropriate connections on the LCD Screen.
5. Connect the power cable to the power connector. The power connector may hang below the pivot tube.
6. Move the DVD Integrated Bracket Assembly up toward the pivot tube and gently feed the excess cables up under the pivot tube. The cables will be hidden and protected by the bracket cover when it is installed later.



7. Align the tab on top of the DVD Integrated Bracket Assembly with the grab bar. (The top of the tab rests on top of the grab bar.)

8. Attach the DVD Player bracket assembly to the pivot tube.

Align the hole in the upright on the DVD Integrated Bracket Assembly to the left side of the pivot tube. Reinsert the left pivot bolt in the pivot tube and tighten with a  $\frac{7}{32}$ -inch hex key. Do not fully tighten the bolt at this time.

9. Carefully gather the cables above pivot tube so nothing will get pinched when the bracket cover is reinstalled.

10. Reinstall the bracket cover as described in the bracket assembly guide.

**Important:** Make sure that the bracket cover flanges are flush against the pivot tube. The washers and bearings need to remain on the outside of the bracket flanges.

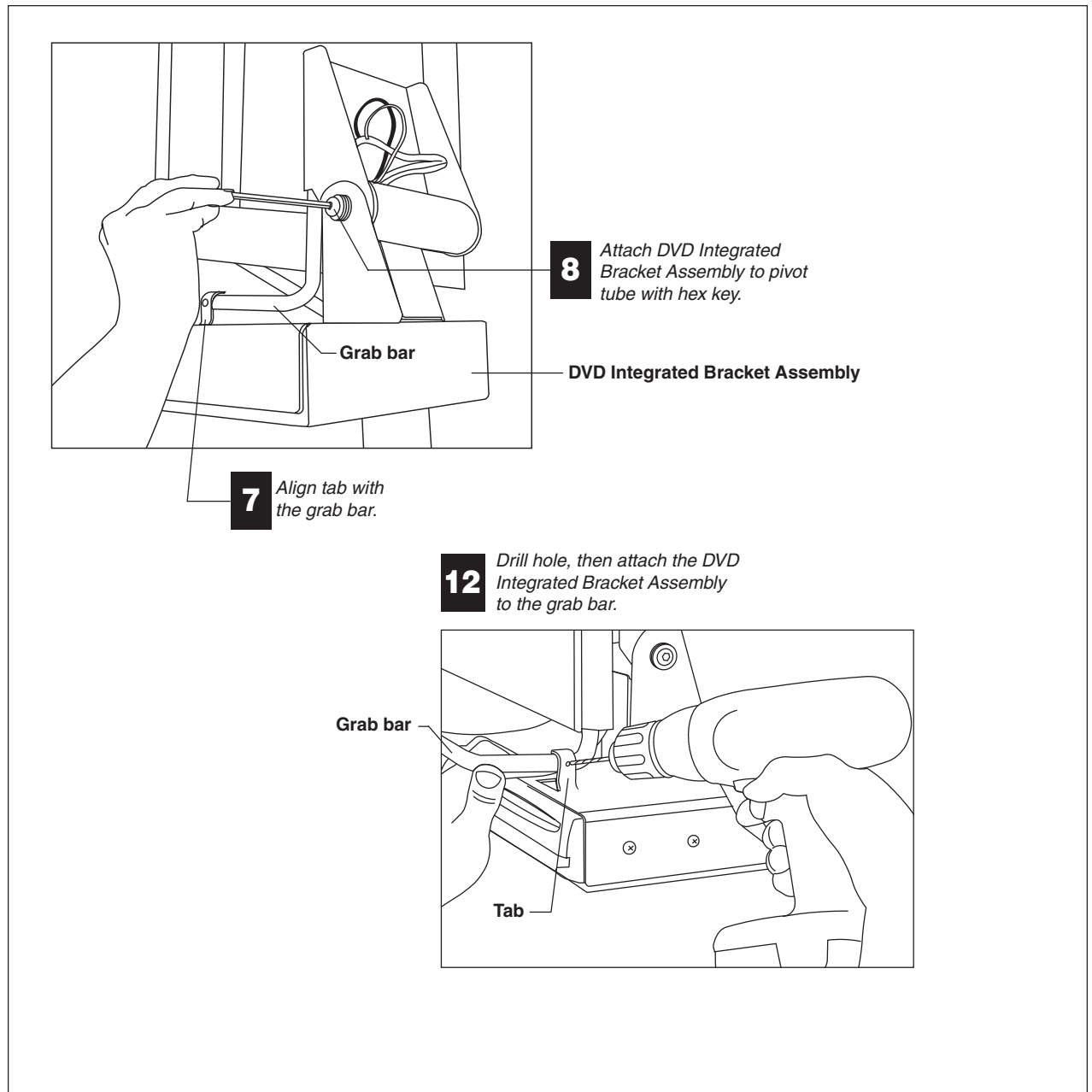
11. Securely tighten the left pivot bolt in the pivot tube, but do not fully tighten it at this time.

12. Attach the DVD Integrated Bracket Assembly to the grab bar.

Drill a hole in the grab bar with  $\frac{1}{8}$ -inch bit through the hole in the tab. Insert the self-tapping screw and fully tighten.

13. Using a torque wrench and the  $\frac{7}{32}$ -inch hex key, tighten the left pivot bolt to 120 in-lbs.

14. Adjust the LCD Screen and DVD Player for viewing





Precor Incorporated  
20031 142nd Avenue NE  
P.O. Box 7202  
Woodinville, WA USA 98072-4002

Precor and Cardio Theater are registered trademarks of Precor Incorporated.  
Specifications subject to change without notice.  
Copyright 2005 Precor Incorporated.  
Precor web site: [www.precor.com](http://www.precor.com)

**NOTICE:**

Precor is widely recognized for its innovative, award winning designs of exercise equipment. Precor aggressively seeks U.S. and foreign patents for both the mechanical construction and the visual aspects of its product design. Any party contemplating the use of Precor's product designs is hereby forewarned that Precor considers the unauthorized appropriation of its proprietary rights to be a very serious matter. Precor will vigorously pursue all unauthorized appropriation of its proprietary rights.